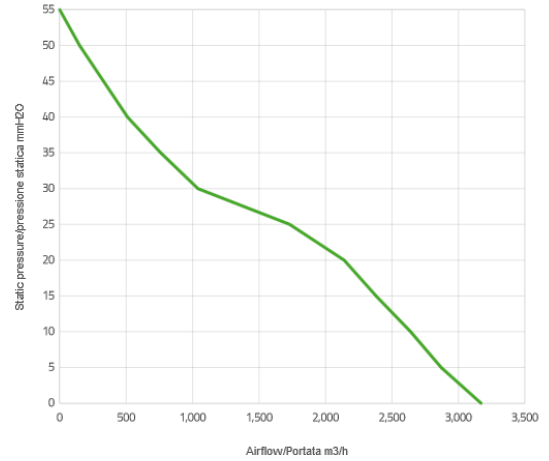


# BRUSHED AXIAL FANS

## VA01-AP90/LL-66A



## Performance diagram



## Performance chart

Static pressure	Airflow	Current draw	Airflow	Static pressure
mm H <sub>2</sub> O	m <sup>3</sup> /h	A	CFM	in H <sub>2</sub> O
0	3170	25,0	1870	0
5,0	2870	27,1	1693	0,2
10,0	2640	28,9	1558	0,4
15,0	2380	29,7	1404	0,6
20,0	2140	30,8	1263	0,8
25,0	1730	31,0	1021	1,0

This is a not-controlled copy electronically created from the web site [www.spalautomotive.com](http://www.spalautomotive.com). The information contained herein is subject to change without notice. This catalogue/web site does not imply that any such parts are available for supply. The publisher and any party associated with the production of this catalogue/web site do not accept any responsibility or liability whatsoever (to the extent permitted by law) for any inaccuracy, error, misinformation or misleading statements, whether negligently caused or otherwise, contained in this publication. This publication is protected by copyright and may not be reproduced or copied (using any method of reproduction or copying), sold, transmitted, circulated or otherwise forwarded to third parties, in whole or part, without prior written consent of the author.

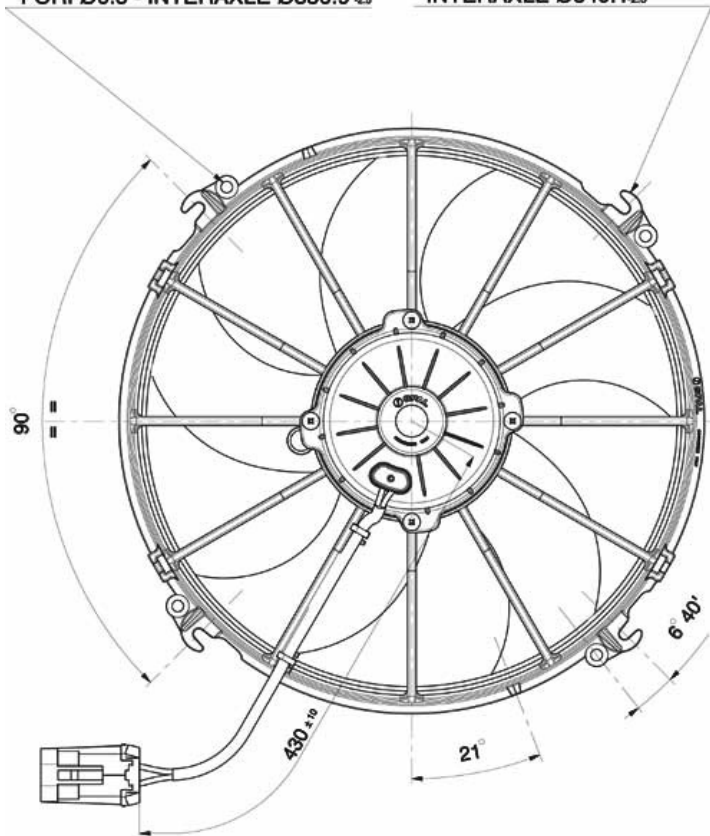
Static pressure	Airflow	Current draw	Airflow	Static pressure
30,0	1040	32,2	614	1,2
35,0	760	34,0	448	1,4
40,0	510	36,1	301	1,6
45,0	330	36,6	195	1,8
50,0	150	38,9	89	2,0
55,0	0	38,6	0	2,2

This is a not-controlled copy electronically created from the web site [www.spalautomotive.com](http://www.spalautomotive.com). The information contained herein is subject to change without notice. This catalogue/web site does not imply that any such parts are available for supply. The publisher and any party associated with the production of this catalogue/web site do not accept any responsibility or liability whatsoever (to the extent permitted by law) for any inaccuracy, error, misinformation or misleading statements, whether negligently caused or otherwise, contained in this publication. This publication is protected by copyright and may not be reproduced or copied (using any method of reproduction or copying), sold, transmitted, circulated or otherwise forwarded to third parties, in whole or part, without prior written consent of the author.

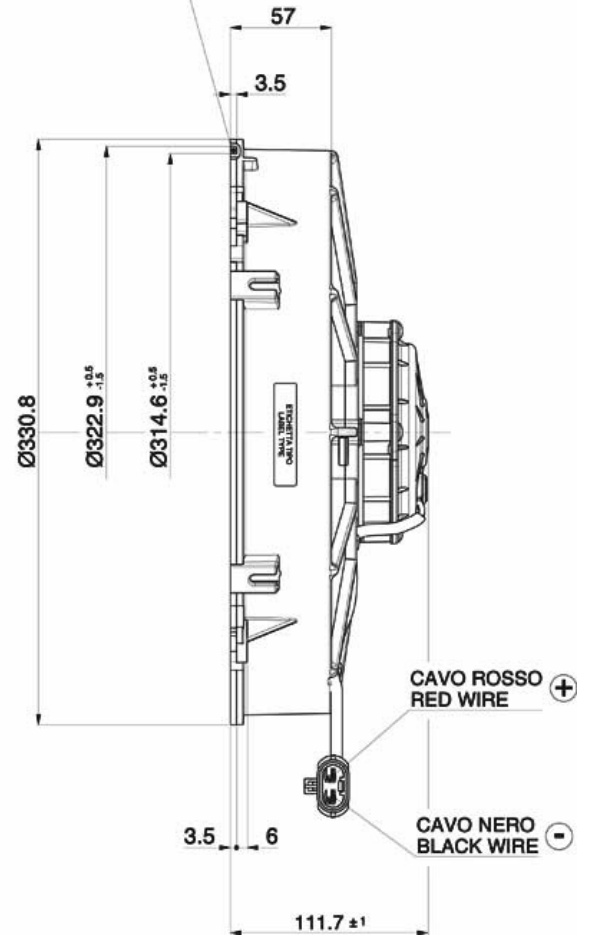
- N°4 BORCHIE ALTEZZA H = 7.5  
FORI Ø6.5 INT. Ø336.9<sup>+0.25</sup>  
- N°4 BOSSES - HEIGHT H = 7.5  
FORI Ø6.5 - INTERAXLE Ø336.9<sup>+0.25</sup>

- N°4 GANCI PER PERNI Ø6  
INTERASSE Ø340.1<sup>+0.25</sup>  
- N°4 HOOKS Ø6  
INTERAXLE Ø340.1<sup>+0.25</sup>

SEDE PER ANELLO IN GOMMA  
RUBBER SEAL HOUSING



AIRFLOW



This is a not-controlled copy electronically created from the web site [www.spalautomotive.com](http://www.spalautomotive.com). The information contained herein is subject to change without notice. This catalogue/web site does not imply that any such parts are available for supply. The publisher and any party associated with the production of this catalogue/web site do not accept any responsibility or liability whatsoever (to the extent permitted by law) for any inaccuracy, error, misinformation or misleading statements, whether negligently caused or otherwise, contained in this publication. This publication is protected by copyright and may not be reproduced or copied (using any method of reproduction or copying), sold, transmitted, circulated or otherwise forwarded to third parties, in whole or part, without prior written consent of the author.